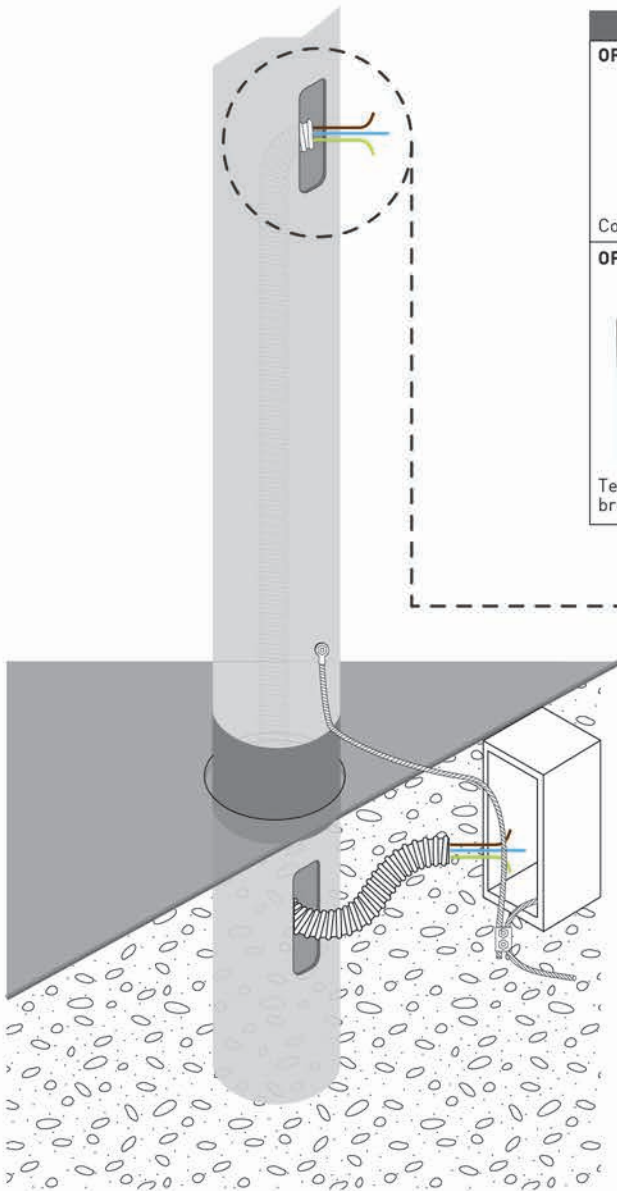
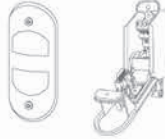


Ground insertion pole installation

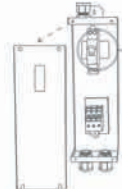


OPTION 1 - STANDARD



Cover door set + terminal box

OPTION 2



Terminal box with breaker



ATTENTION

For installation and in case of maintenance remove the voltage.

According to EN 60598-1, EN 60598-2-3, UNI EN 40-1

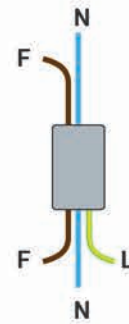
IP66 totally dust-proof and water-proof

Class I SIMPLE INSULATION: earthing required

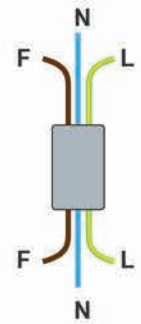
Class II DOUBLE INSULATION: no earthing required

Getting rid of as urban waste is forbidden. Separate collection is mandatory when the product is at the end of its life.

Wiring details



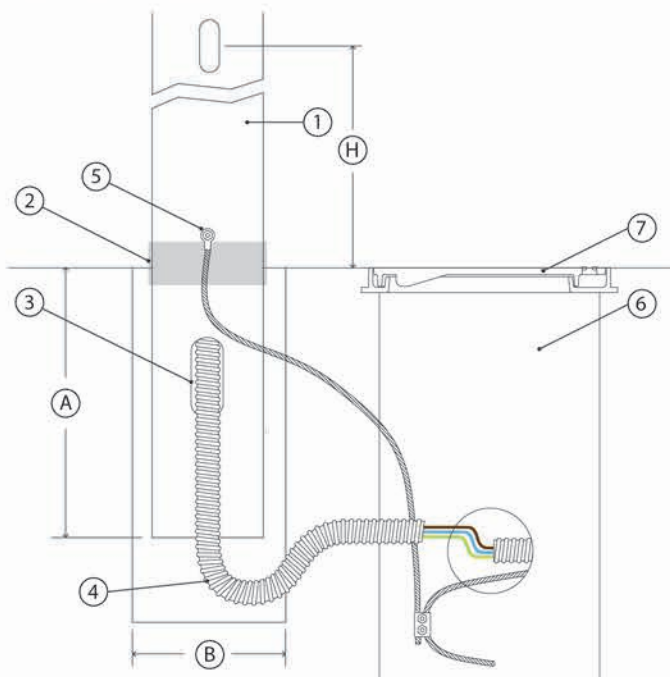
Class II 2 POLES (220V)



Class I 3 POLES (220V)

COD	Art. terminal box

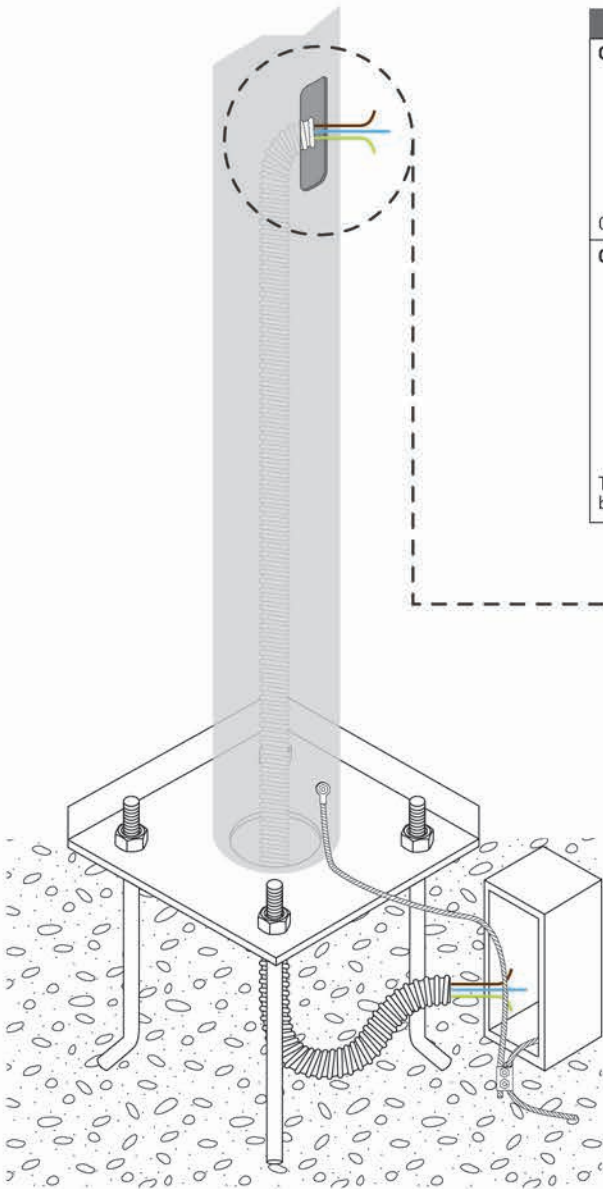
Ground insertion details:



- ① Pole
- ② Protection sheath
- ③ Slot for the passage of cables
- ④ Corrugated PVC pipe
- ⑤ Pole grounding wire
- ⑥ Manhole
- ⑦ Manhole cover
- ⑧ Height of cover door set
- Ⓐ Depth of grounding
- Ⓑ Grounding hole diameter

Cod	A	B	H

Steel plate and bolts pole installation



OPTION 1 - STANDARD

Cover door set + terminal box

OPTION 2

Terminal box with breaker

ATTENTION

For installation and in case of maintenance remove the voltage.

According to EN 60598-1, EN 60598-2-3, UNI EN 40-1

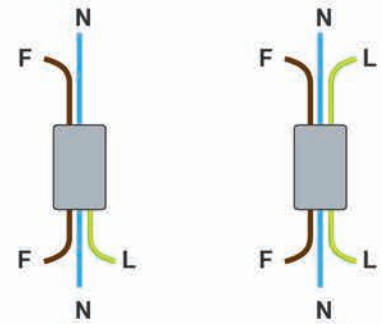
IP66 totally dust-proof and water-proof

Class I SIMPLE INSULATION: earthing required

Class II DOUBLE INSULATION: no earthing required

Getting rid of as urban waste is forbidden. Separate collection is mandatory when the product is at the end of its life.

Wiring details

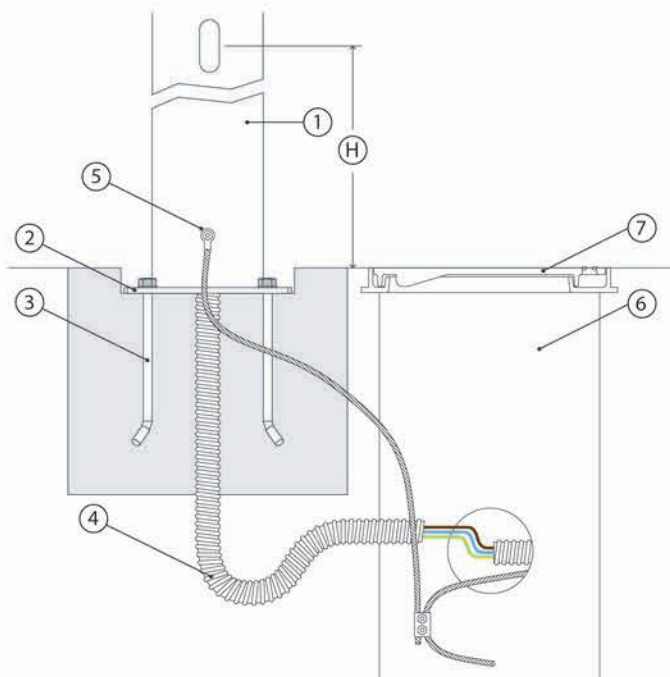


Class II
2 POLES (220V)

Class I
3 POLES (220V)

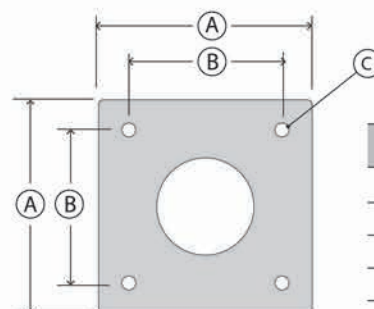
COD	Art. terminal box

Steel plate installation details



- ① Pole
- ② Steel plate
- ③ Bolts
- ④ Corrugated PVC pipe
- ⑤ Pole grounding wire
- ⑥ Manhole
- ⑦ Manhole cover
- ⑧ Height of cover door set

Steel plate details:



Cod	A	B	C